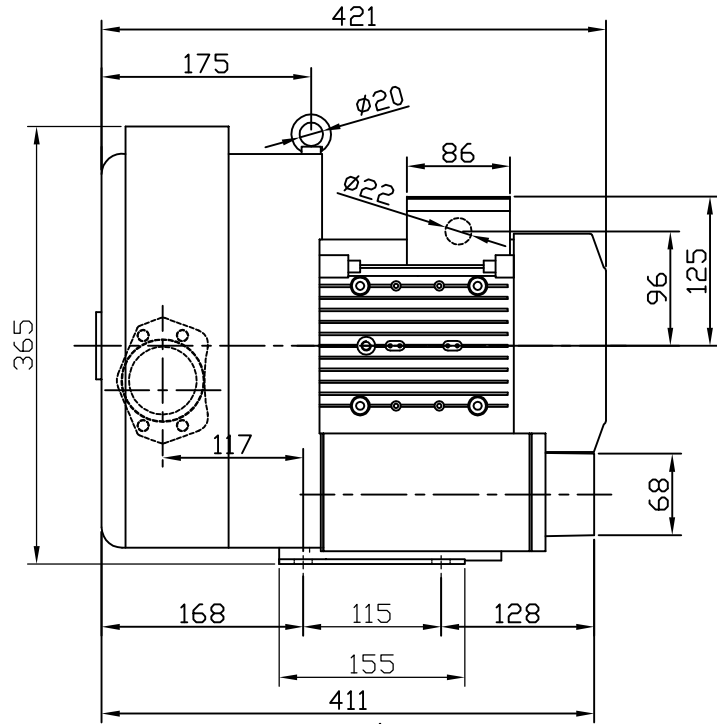
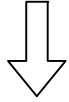
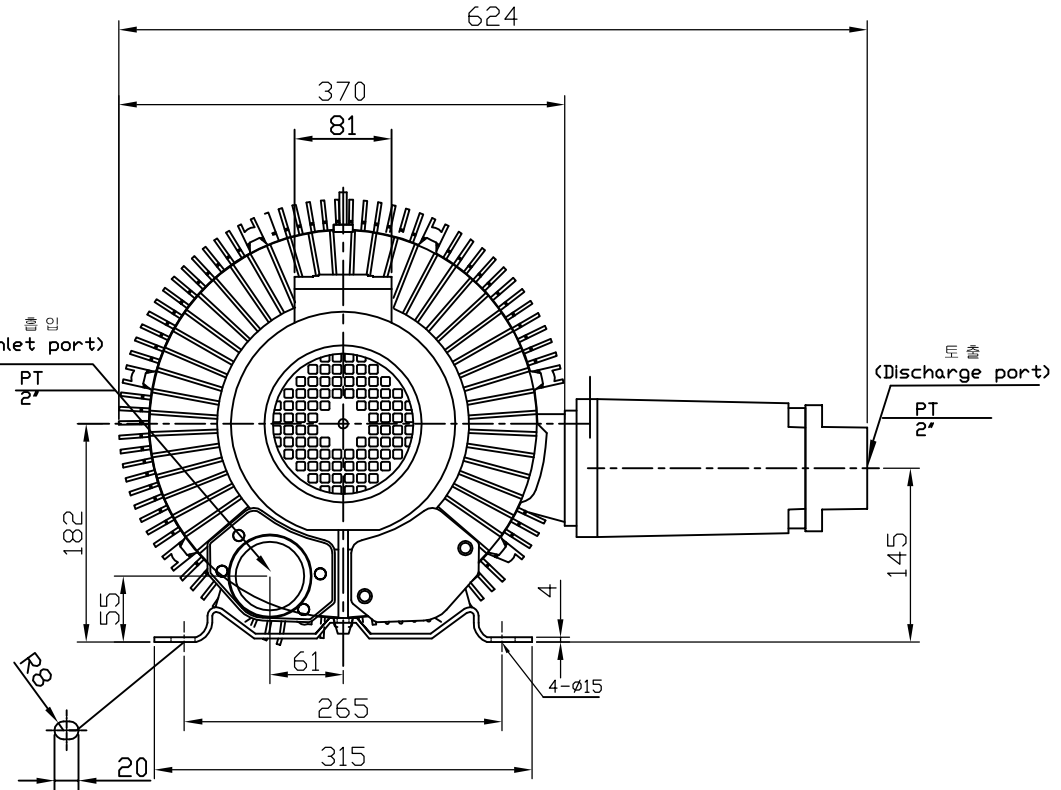



VIEW:B



VIEW:A



3ø 2.55kw2p

CUSTOMER					
MANUFACTURE  (주)대하이엔지 DAEHA ENG Co., Ltd.					
TITLE RING BLOWER(Reg. Blower) DHB-502					
CONTRACT DWG NO.				05020003	
SCALE	PROJECT NO.	DRAWING NUMBER	MF-NO	TYPE	REV