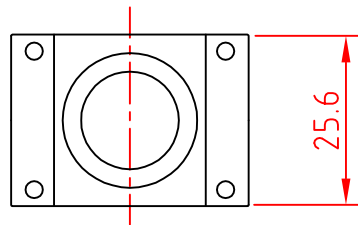
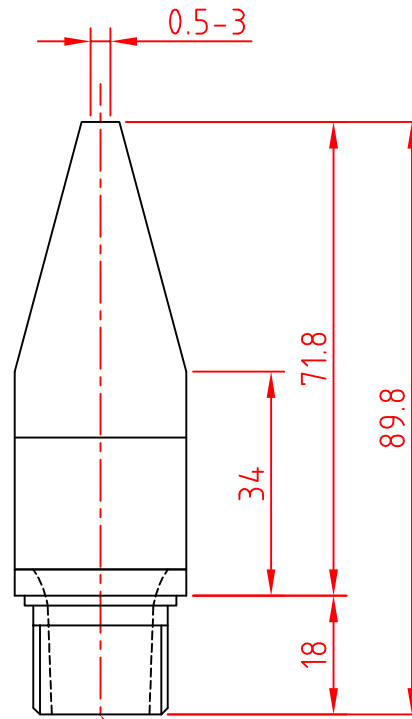
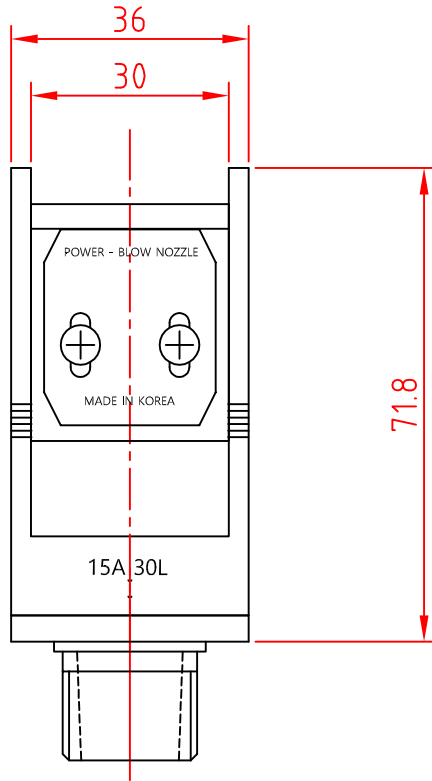



15A30L



15A (1/2")

CUSTOMER					
MANUFACTURE		 (주)대하이엔지 DAEHA ENG Co., Ltd.			
TITLE					
에어노즐 15A30L					
CONTRACT DWG NO.					
SCALE	PROJECT NO.	DRAWING NUMBER	MF-NO	TYPE	REV
NONE		DH15A30L			0